

Wireless Optical Notebook Mouse



Please read this user's guide before using your new mouse.

Package contents



Features

- Mac and PC compatible via USB.
- Goes to sleep when not in use to help conserve battery life.
- Rubberized grip for added comfort.
- Receiver fits inside the mouse so it doesn't get lost.
- Compact wireless design with hideaway USB is great for travel.

① Check Compatibility

System Requirements

Operating System:

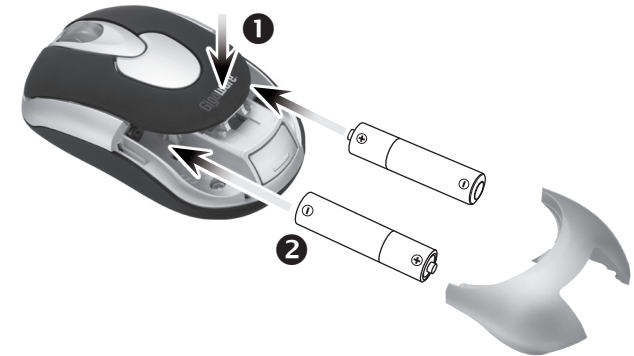
Windows Vista™	Windows® XP
Windows Me	Windows 2000

Connection:

USB Port

② Install Batteries

1. Press the Gigaware logo to release and open the battery cover.
2. Insert two AAA batteries (not supplied) into the battery compartment according to the polarity symbols marked inside and replace the cover.



Battery Notes:

- Replace the batteries when cursor response is slow.
- You will need to pair your mouse again after installing new batteries. Refer to step 4 under "Setup" to pair your mouse.
- Dispose of batteries promptly and properly. Do not burn or bury them.
- Use only fresh batteries of the required size and type.
- Do not mix batteries of different size or chemistries.
- If you do not plan to use the mouse for a long time, remove the batteries. Batteries can leak chemicals that can damage electronic parts.

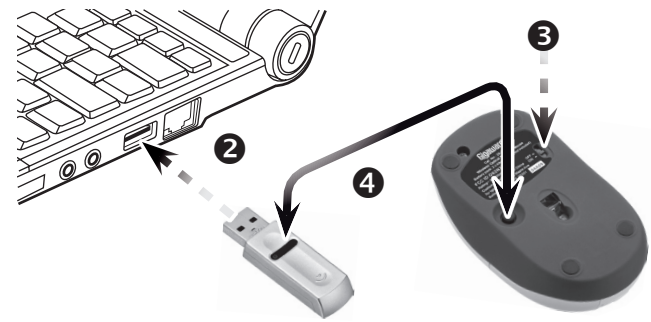
③ Setup

1. Press the eject button to eject the receiver from your mouse.



2. Turn on your computer. Plug the receiver into a USB port.
3. Slide your mouse's **ON/OFF** switch to **ON**.
4. Press the connect button on the bottom of the mouse and on top of the receiver simultaneously. This pairs the receiver to your mouse.

Note: Make sure the connect button on the receiver clicks.



Left Button

- Rotate the wheel toward you to scroll through a document or screen. Rotate away from you to scroll back.
- Supports Auto Scroll (Windows): Press and hold the wheel so the auto scroll icon (↕) displays. Move the mouse slightly to auto scroll up or down.

Notes:

- Slide **ON/OFF** on the bottom of your mouse to **OFF** to turn off and save battery power after you finish using your mouse.
- You can also turn your mouse off by pressing the left or right button and scroll wheel simultaneously for 3 seconds. To turn on again, press any of these controls.
- Your mouse's cursor is motion sensitive with a fast response time. If you want to slow down the cursor speed, on your computer click **Control Panel** → **Mouse Properties** → **Pointer Options** to adjust the pointer speed in the **Motion** tab.
- See your operating system's online help for additional information about mouse configuration and use.

Care and Service

- Use and store the mouse only in room temperature environments.
- Do not use the mouse on surfaces made of glass, black velvet, or mirror. These surfaces may disrupt function.
- Keep the mouse dry; if it gets wet, wipe it dry immediately.
- Keep the mouse away from dust and dirt, and wipe it with a damp cloth occasionally to keep it looking new.
- Handle the mouse carefully; do not drop it.
- Do not modify or tamper with your mouse's internal components. Doing so may cause a malfunction and invalidate its warranty.

Specifications

Operating Range	3.5 ft (1 m)
Resolution.....	1000 dpi
USB	1.1 Version (12 Mbps)
Sensor	Avago 5030
Movement Detect	Optical Sensor
Contact Method	Micro Switch/Wheel Switch
Frame Rate	Self Adjusting
Power Consumption	< 25mA
Dimensions – Mouse (LWH).....	3.3×2.0×1.2 in (85×51×30mm)
Dimensions – Receiver (LWH)	2.2×0.7×0.3 in (57×17×8mm)
Weight – Mouse	1.73 oz (49 g)
Weight – Receiver	0.25 oz (7.8 g)

Specifications are subject to change and improvement without notice. Actual product may vary from the images found in this document.

FCC Information

This equipment has been tested and found to comply with the limits for a Class B digital device, pursuant to Part 15 of the FCC Rules. These limits are designed to provide reasonable protection against harmful interference in a residential installation. This equipment generates, uses and can radiate radio frequency energy and, if not installed and used in accordance with the instructions, may cause harmful interference to radio communications. However, there is no guarantee that interference will not occur in a particular installation. If this equipment does cause harmful interference to radio or television reception, which can be determined by turning the equipment off and on, the user is encouraged to try to correct the interference by one or more of the following measures:

- Reorient or relocate the receiving antenna.
 - Increase the separation between the equipment and receiver.
 - Connect the equipment into an outlet on a circuit different from that to which the receiver is connected.
 - Consult the dealer or an experienced radio/TV technician for help.
- Changes or modifications not expressly approved by Ignition L.P. may cause interference and void the user's authority to operate the equipment.

This device complies with part 15 of the FCC Rules. Operation is subject to the following two conditions: (1) This device may not cause harmful interference, and (2) this device must accept any interference received, including interference that may cause undesired operation



Product	Wireless Optical Notebook Mouse
Model	26-284, 26-1424, 26-1425 and 26-1517
Responsible Party	Ignition L.P. 3102 Maple Ave Suite 450 Dallas, TX 75201
Phone	866-315-0426

Limited Warranty

Ignition L.P. warrants this product against defects in materials and workmanship under normal use by the original purchaser for **ninety (90) days** after the date of purchase. IGNITION L.P. MAKES NO OTHER EXPRESS WARRANTIES.

This warranty does not cover: (a) damage or failure caused by or attributable to abuse, misuse, failure to follow instructions, improper installation or maintenance, alteration, accident, Acts of God (such as floods or lightning), or excess voltage or current; (b) improper or incorrectly performed repairs by persons who are not a Ignition L.P. Authorized Service Facility; (c) consumables such as fuses or batteries; (d) ordinary wear and tear or cosmetic damage; (e) transportation, shipping or insurance costs; (f) costs of product removal, installation, set-up service, adjustment or reinstallation; and (g) claims by persons other than the original purchaser.

Should a problem occur that is covered by this warranty, take the product and the sales receipt as proof of purchase date to the place of purchase. Ignition L.P. will, at its option, unless otherwise provided by law: (a) repair the product without charge for parts and labor; (b) replace the product with the same or a comparable product; or (c) refund the purchase price. All replaced parts and products, and products on which a refund is made, become the property of Ignition L.P. New or reconditioned parts and products may be used in the performance of warranty service. Repaired or replaced parts and products are warranted for the remainder of the original warranty period. You will be charged for repair or replacement of the product made after the expiration of the warranty period.

IGNITION L.P. EXPRESSLY DISCLAIMS ALL WARRANTIES AND CONDITIONS NOT STATED IN THIS LIMITED WARRANTY. ANY IMPLIED WARRANTIES THAT MAY BE IMPOSED BY LAW, INCLUDING THE IMPLIED WARRANTY OF MERCHANTABILITY AND, IF APPLICABLE, THE IMPLIED WARRANTY OF FITNESS FOR A PARTICULAR PURPOSE, SHALL EXPIRE ON THE EXPIRATION OF THE STATED WARRANTY PERIOD.

EXCEPT AS DESCRIBED ABOVE, IGNITION L.P. SHALL HAVE NO LIABILITY OR RESPONSIBILITY TO THE PURCHASER OF THE PRODUCT OR ANY OTHER PERSON OR ENTITY WITH RESPECT TO ANY LIABILITY, LOSS OR DAMAGE CAUSED DIRECTLY OR INDIRECTLY BY USE OR PERFORMANCE OF THE PRODUCT OR ARISING OUT OF ANY BREACH OF THIS WARRANTY, INCLUDING, BUT NOT LIMITED TO, ANY DAMAGES RESULTING FROM INCONVENIENCE AND ANY LOSS OF TIME, DATA, PROPERTY, REVENUE, OR PROFIT AND ANY INDIRECT, SPECIAL, INCIDENTAL, OR CONSEQUENTIAL DAMAGES, EVEN IF IGNITION L.P. HAS BEEN ADVISED OF THE POSSIBILITY OF SUCH DAMAGES.

Some States do not allow limitations on how long an implied warranty lasts or the exclusion or limitation of incidental or consequential damages, so the above limitations or exclusions may not apply to you. This warranty gives you specific legal rights, and you may also have other rights which vary from State to State. You may contact Ignition L.P. at:
Ignition L.P., 3102 Maple Ave Suite 450, Dallas, TX 75201 02/09

For product support, call **1-866-315-0426**.



Protect the environment by recycling used electronics. Go to E-CyclingCentral.com to find an electronic recycling center near you.

© 2009. Ignition L.P. All rights reserved. Gigaware is a registered trademark used by Ignition L.P.

Windows is a registered trademark and Windows Vista is a trademark of Microsoft Corporation in the United States and/or other countries.

Mac is a trademark of Apple Inc., registered in the U.S. and other countries.